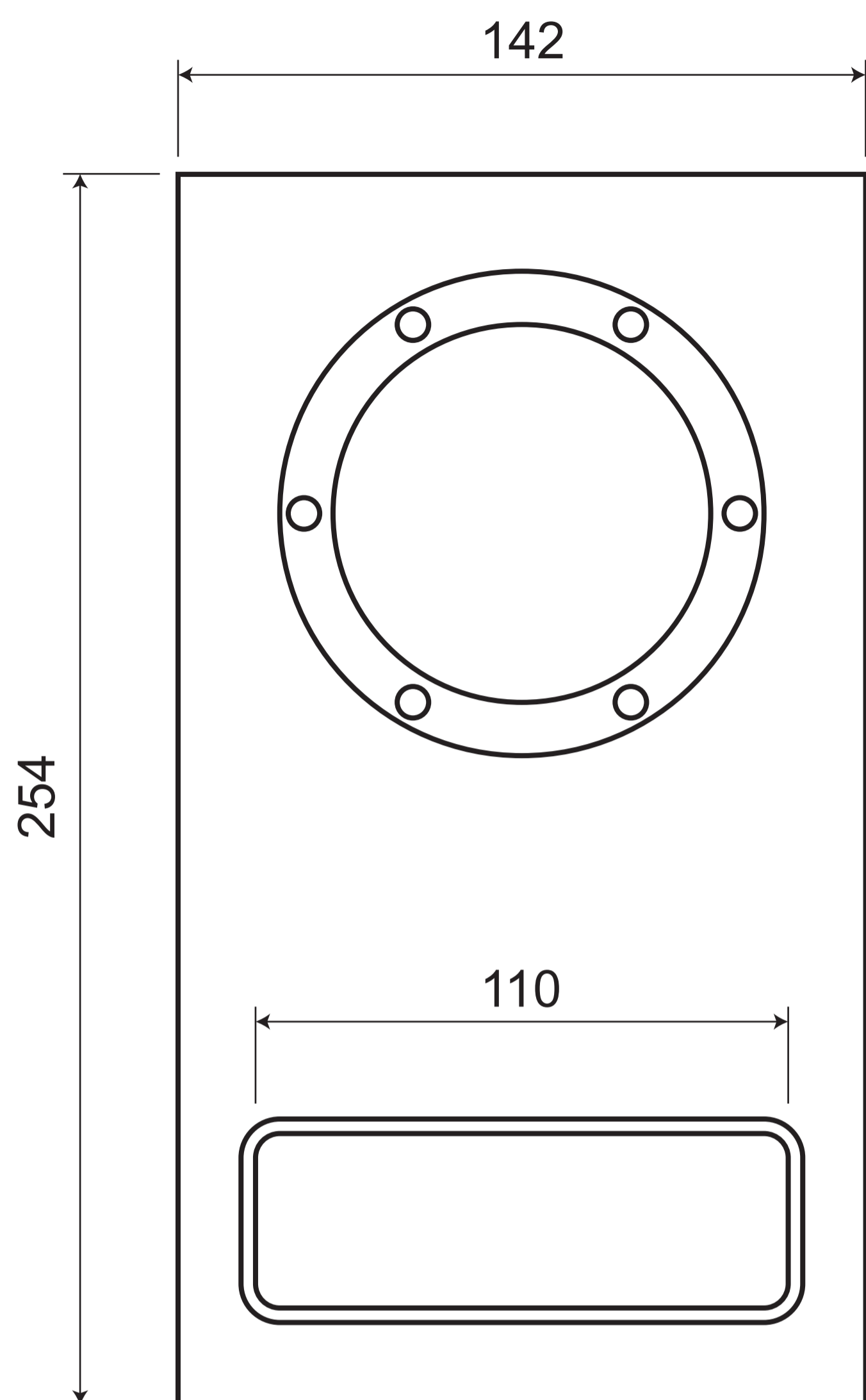
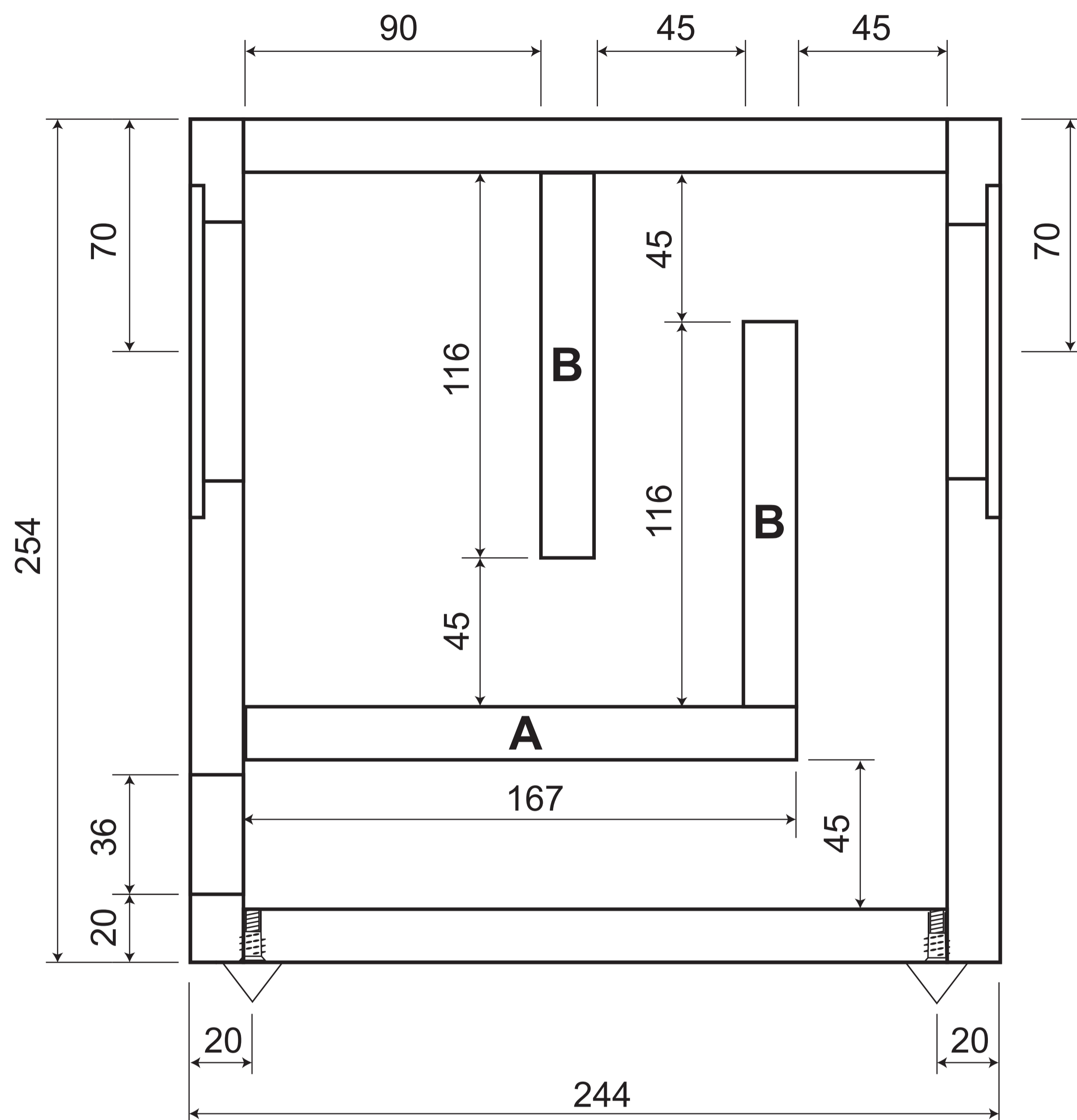


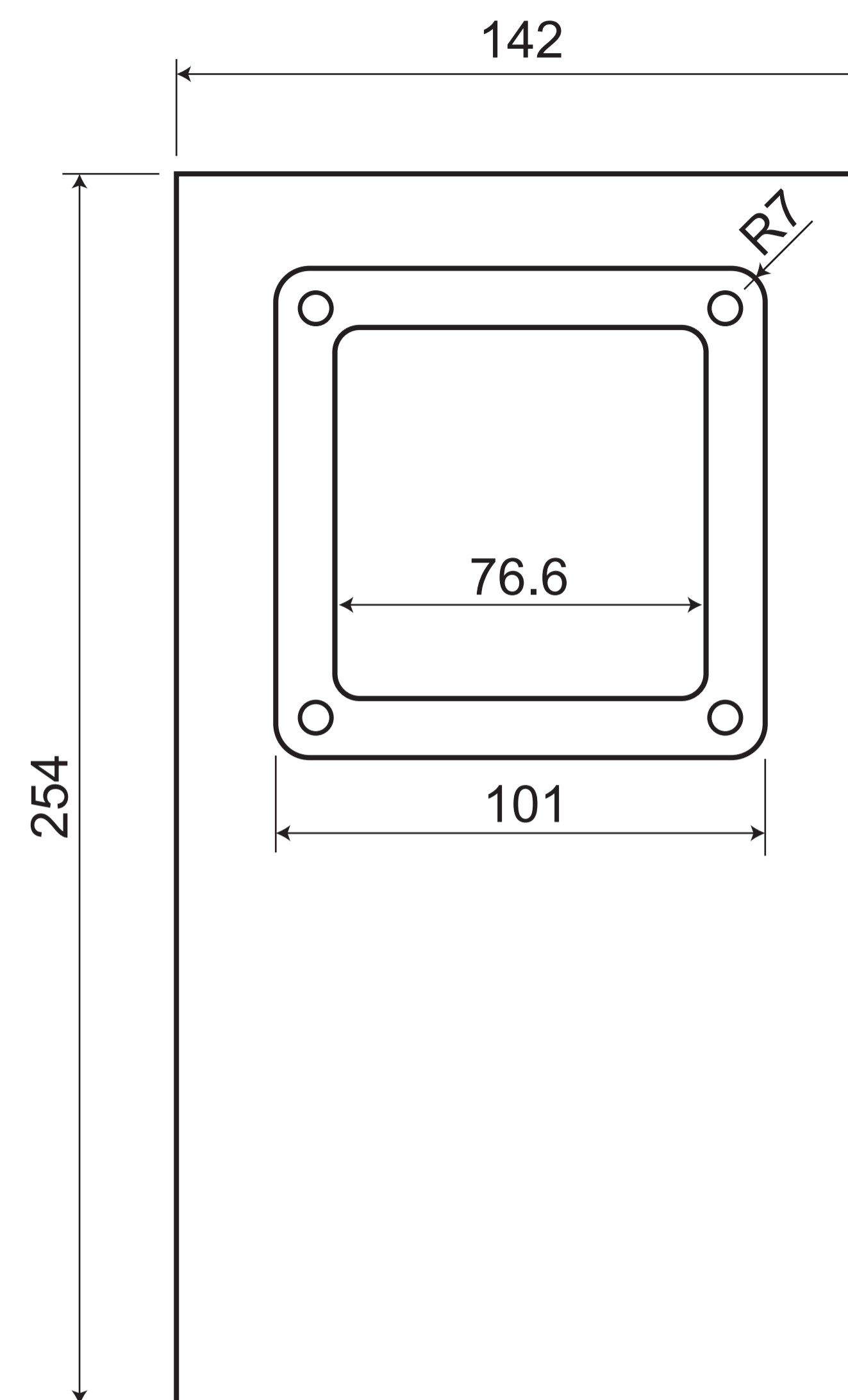
FRONT



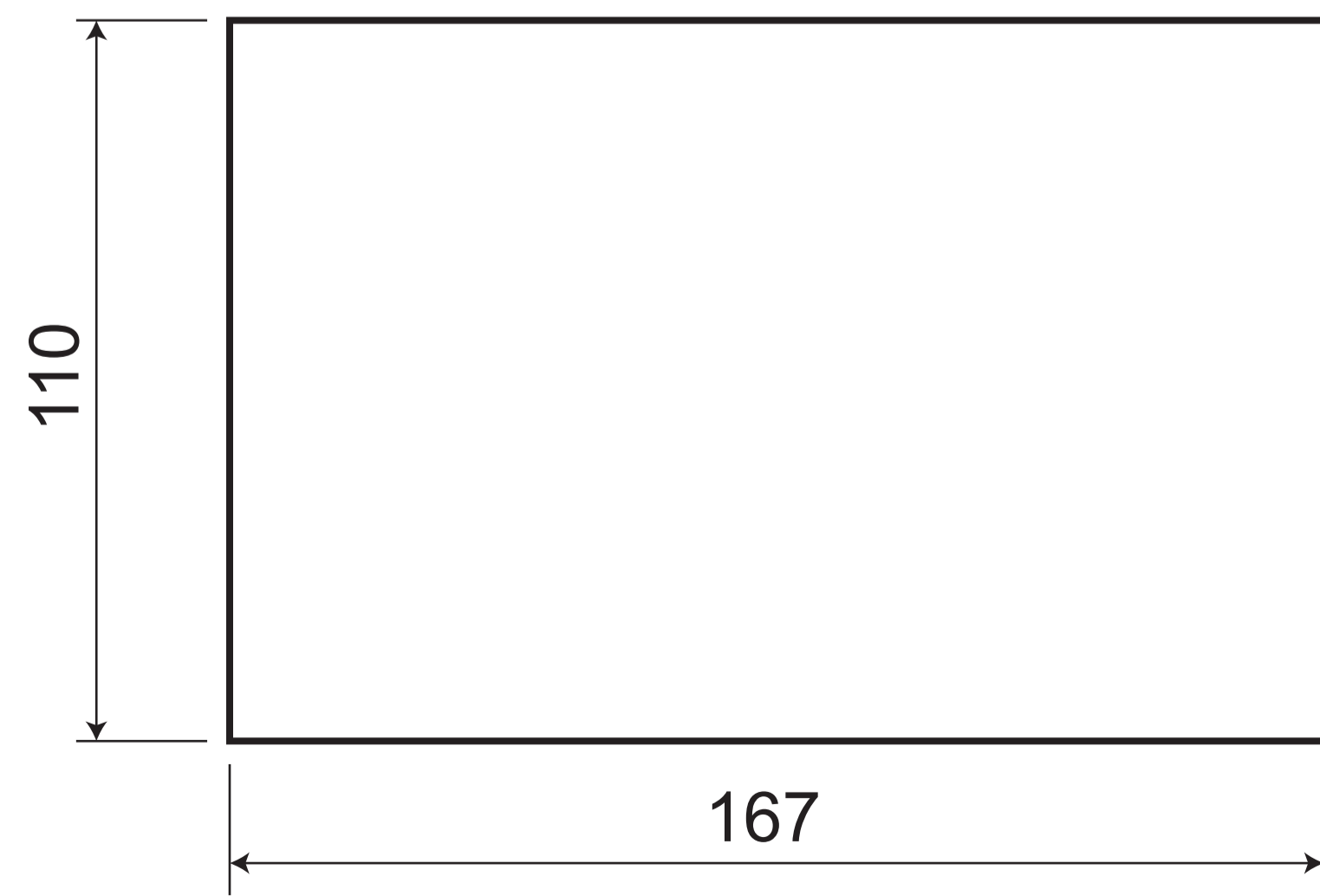
SECTION



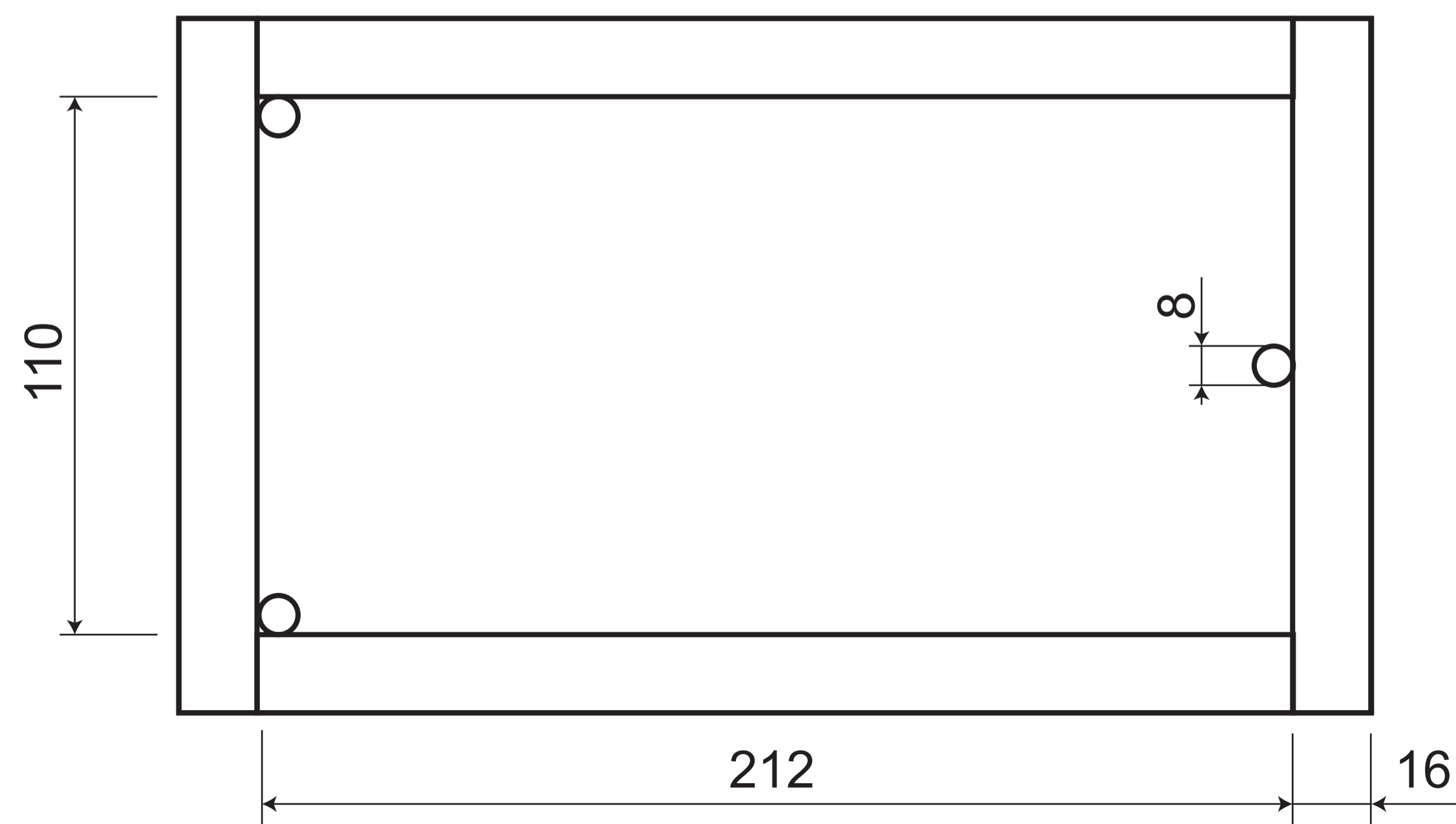
REAR



INTERNAL  
PANEL A



BOTTOM



INTERNAL  
PANEL B (x2)

